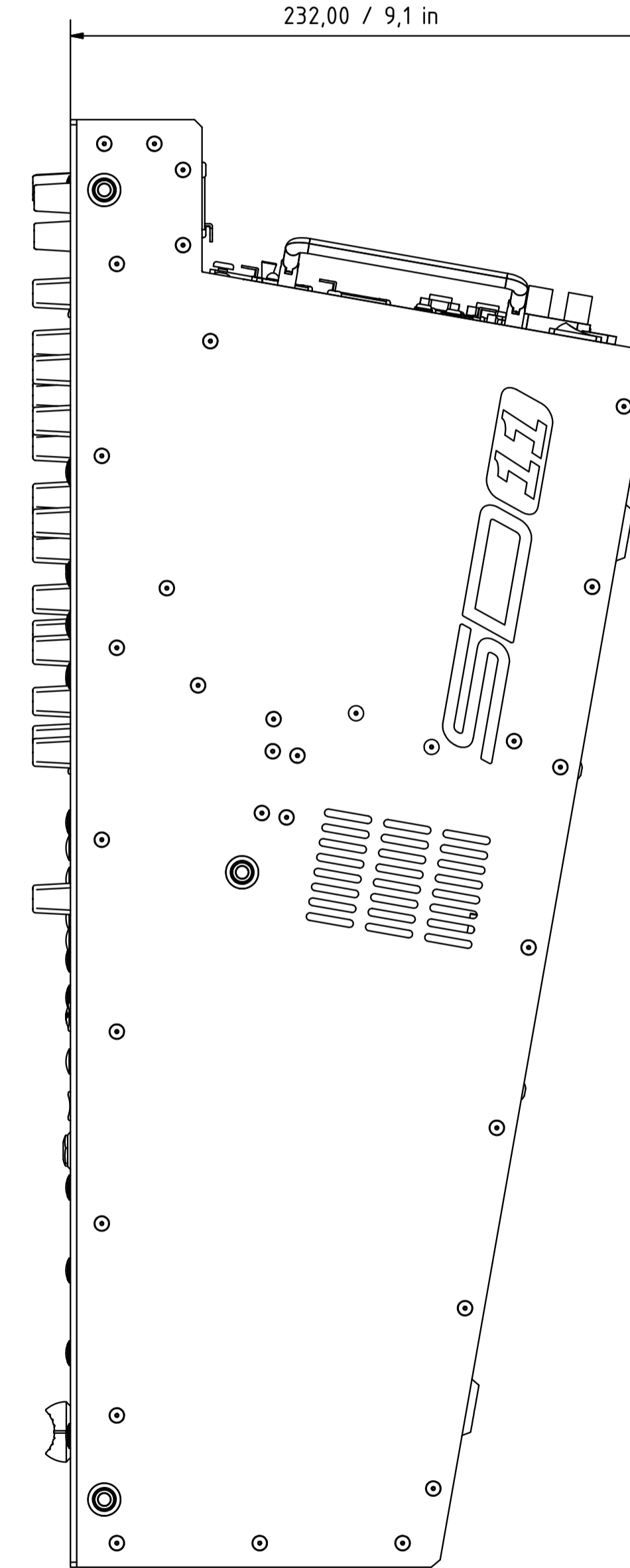
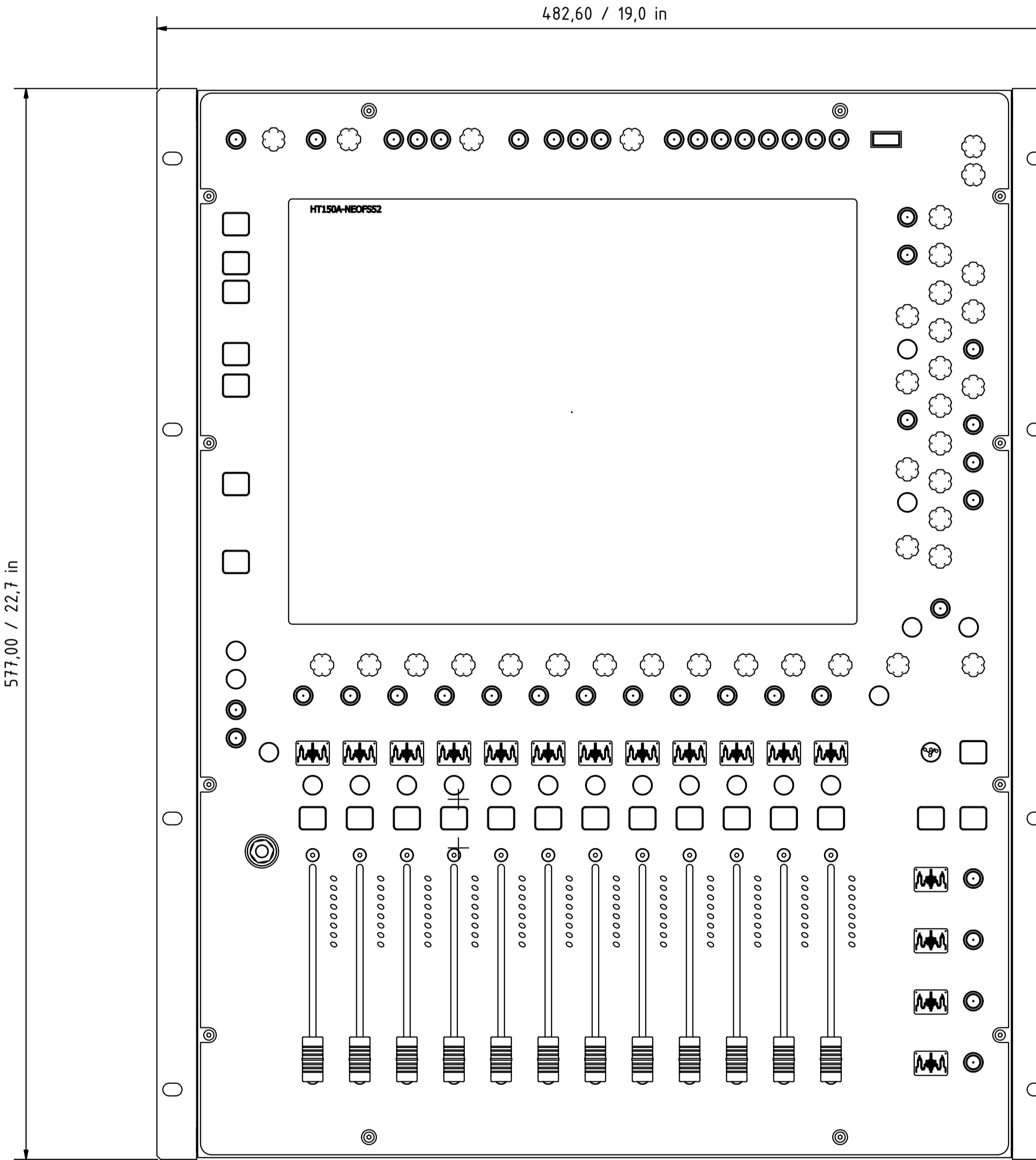
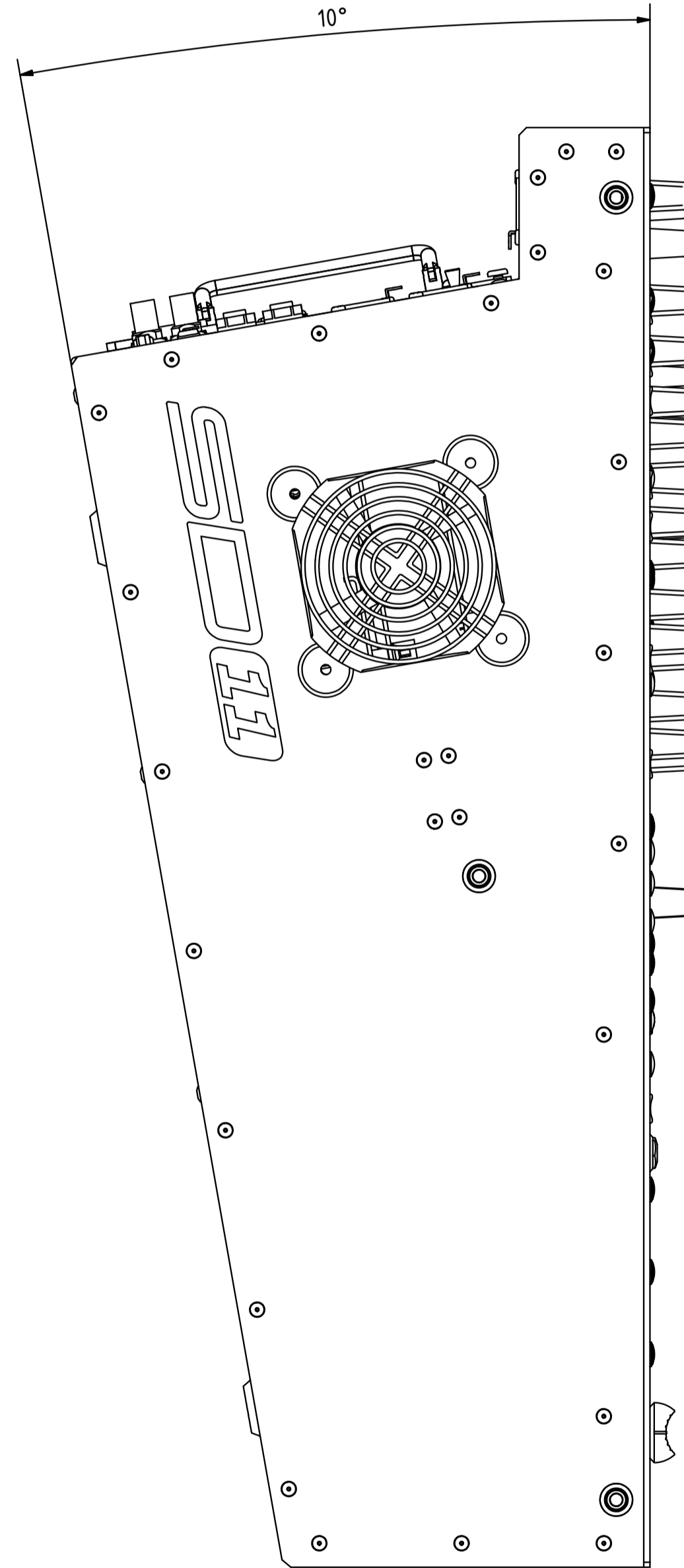
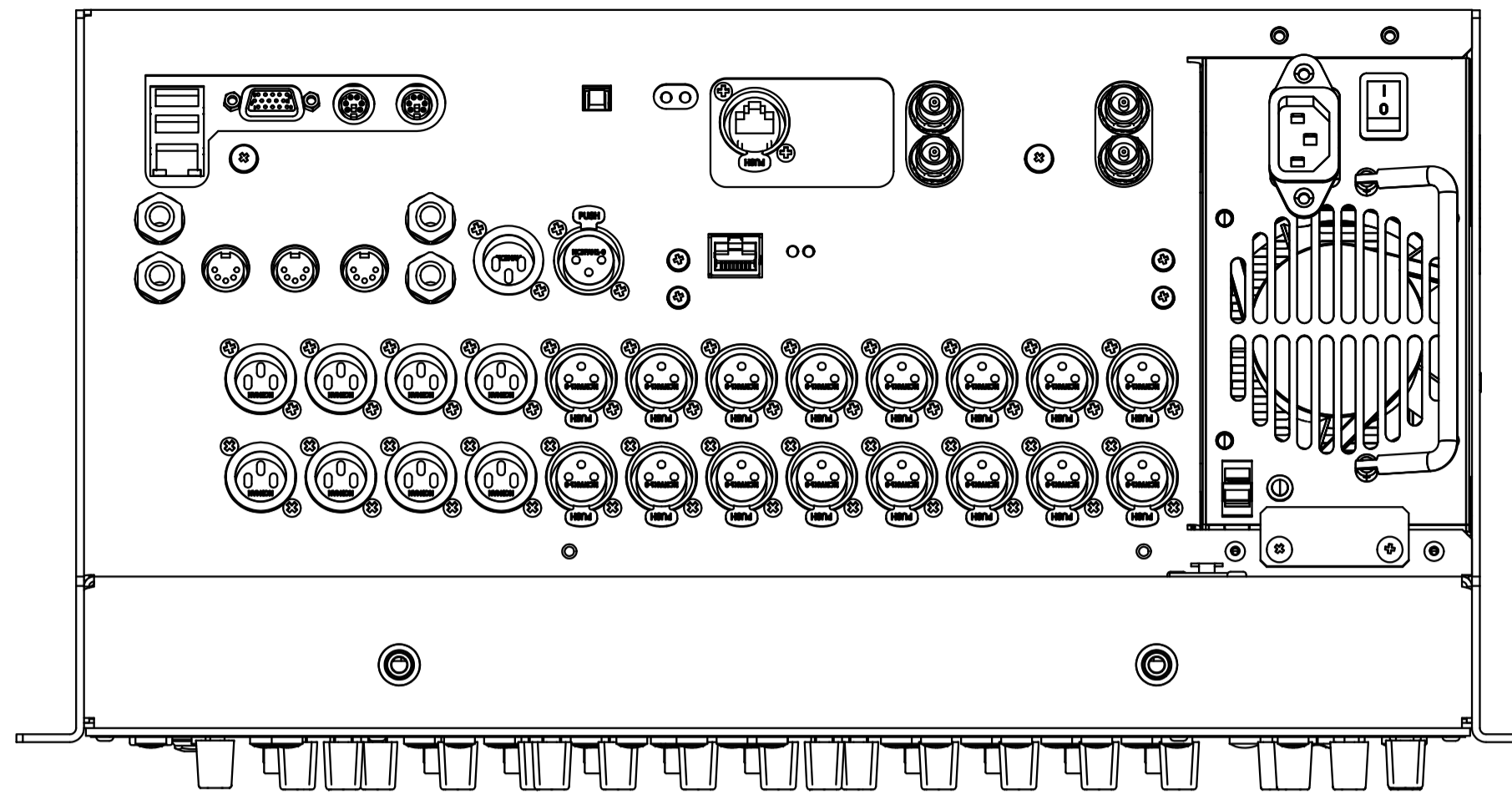


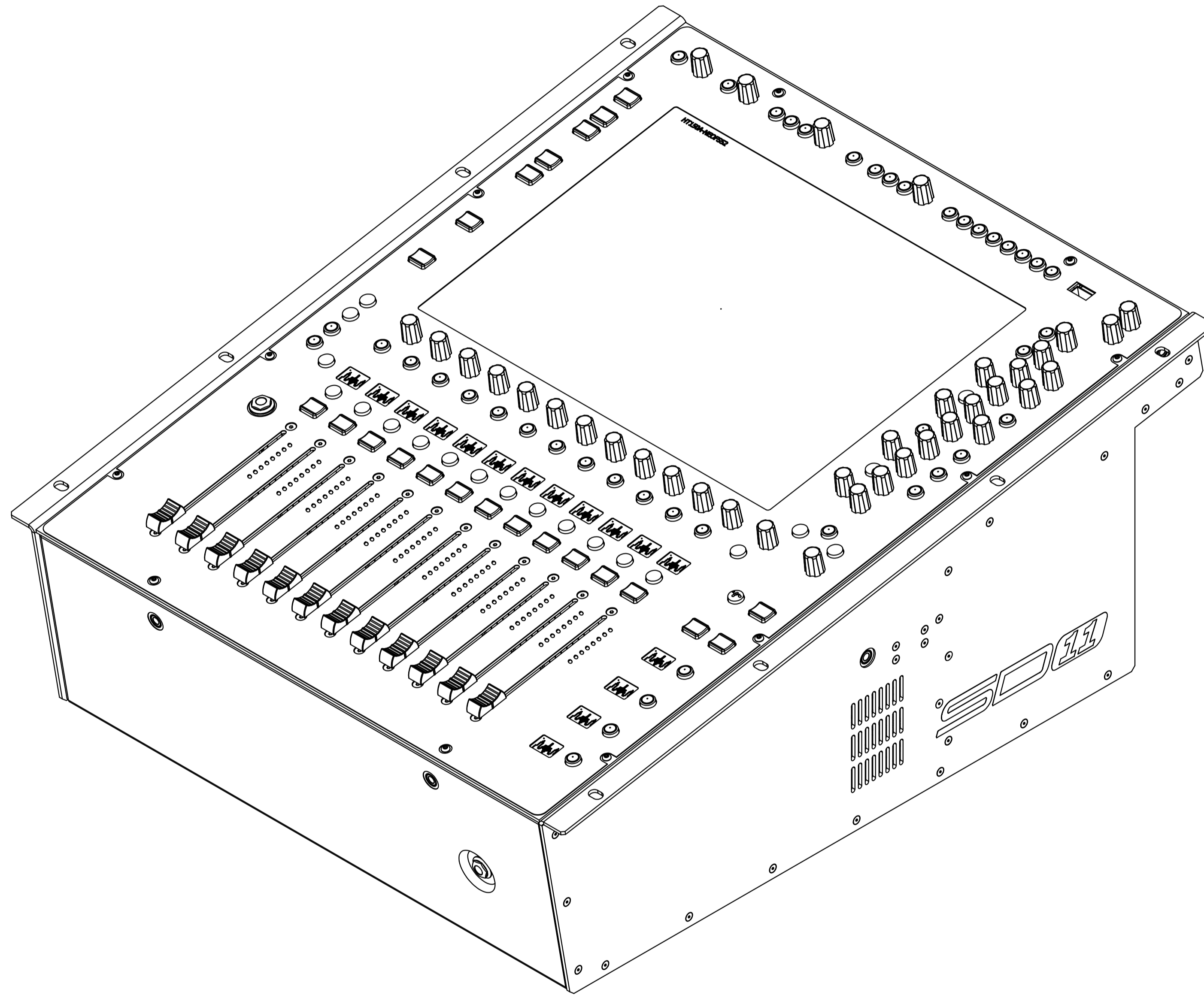
REVISION HISTORY				
ZONE	REV	DESCRIPTION	DATE	CHANGE NO.
	1	NEW DRAWING	15/04/2010	



NOTES.  
1. ESTIMATED WEIGHT 22.2 KG 49.0 Lbs.

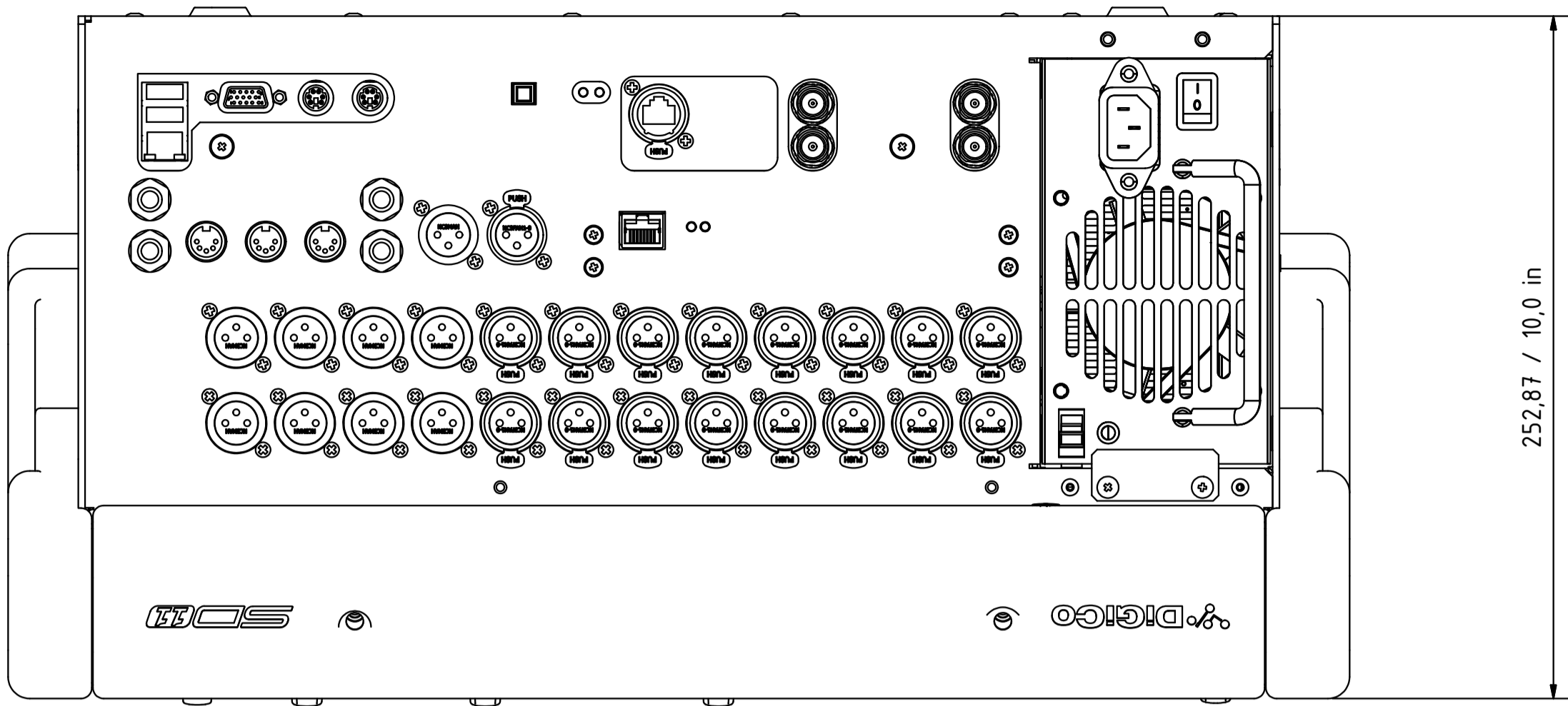
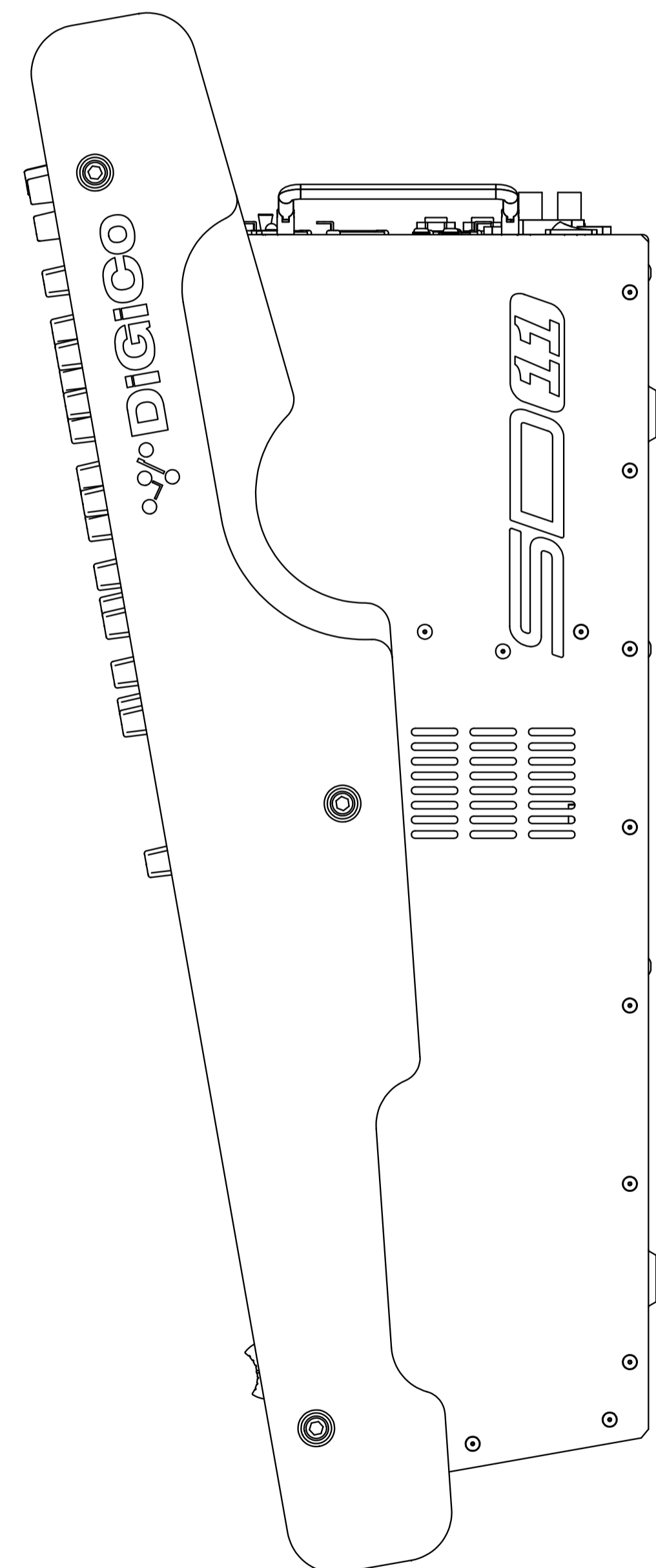
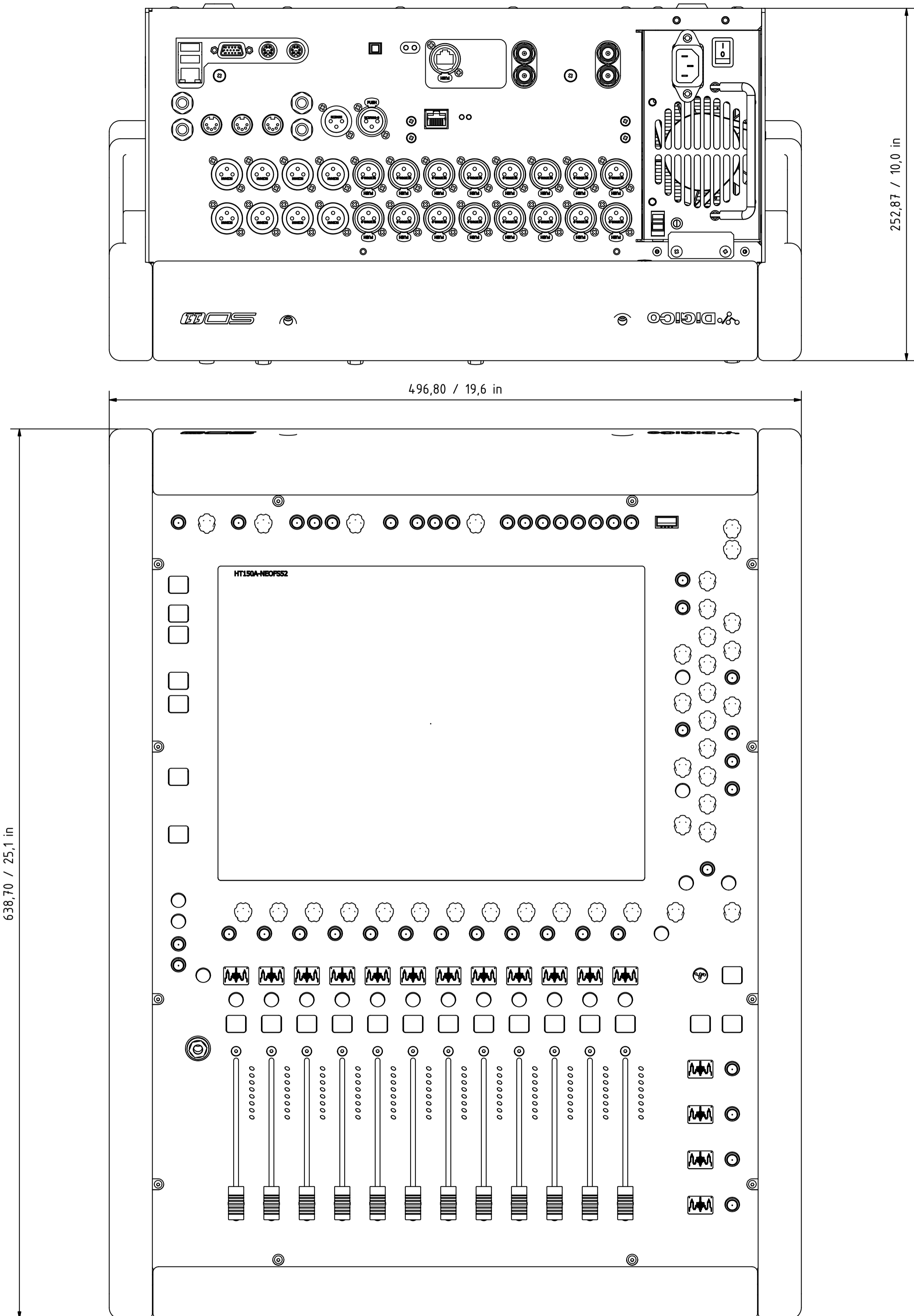
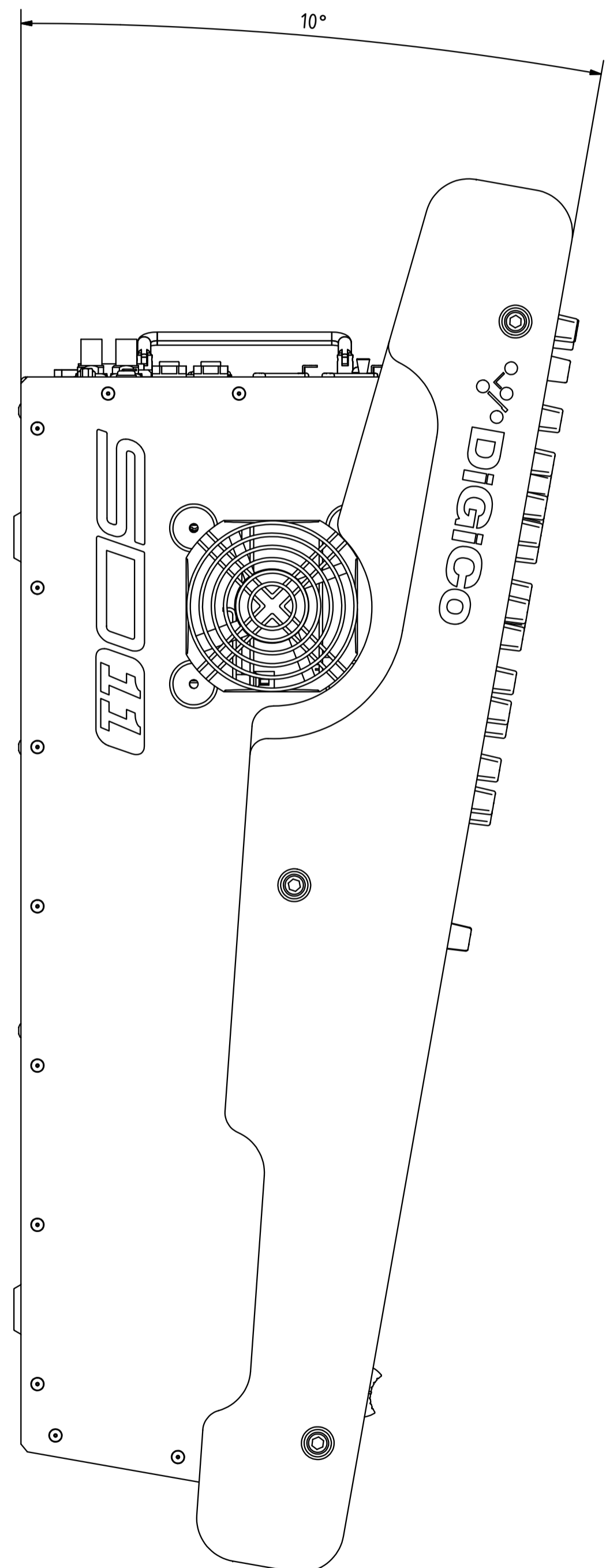
STATUS: <b>PRELIMINARY</b>	INSPECTION CLASS: <b>FULL</b>	DIGICO PART NUMBER: <b>111-00024</b>	DRAWN BY: 3ddraw	MATERIAL: N/A	
		DWG FILE NUMBER: <b>111-00024.iam</b>	DATE: 06/09/2010	FINISH: N/A	
<small>           COPYRIGHT © 2010 THE PROPERTY OF DIGICO (UK) LTD. THE INFORMATION IS CONFIDENTIAL AND NOT BE USED WITHOUT PRIOR WRITTEN CONSENT OF DIGICO (UK) LTD. THE CONTENTS ARE VALID AS AT THE DATE OF PUBLICATION AND IN ANY SUBSEQUENT DESIGN REVISIONS OR CORRECTIONS THE RIGHT TO MAKE CHANGES WITHOUT NOTICE IN COLOURS MATERIALS SPECIFICATION AND MODELS. COPYRIGHT DIGICO 2010         </small>		<small>           UNLESS STATED DIMENSIONS IN MILLIMETERS            DIMENSIONAL TOLERANCES UNLESS STATED            NO DECIMAL = ±0.50            ONE DECIMAL = ±0.20            TWO DECIMALS = ±0.10            ANGULAR = ±30'         </small>	<small>           TOLERANCES UNLESS STATED            UP TO DIA = ±0.10            DIA 0 TO 12 = ±0.20            DIA 12 TO 24 = ±0.30            ABOVE DIA 24 AS STATED            ALL DIMENSIONS IN MILLIMETERS            LIMITS APPLY AFTER PLATING            MACHINED WHERE MARKED THIS         </small>	FIRST USED ON: SD11	SCALE: 1:2 UOS SHEETS: 1 of 4
		DRAWING NUMBER: <b>A1 0L 188-00027 1</b>	SIZE: SUFFIX:	TITLE: <b>SD11 MAIN ASSEMBLY OUTLINE WITHOUT END CHEEKS</b>	ISSUE:

REVISION HISTORY				
ZONE	REV	DESCRIPTION	DATE	APPROVED
	1	NEW DRAWING	15/04/2010	



STATUS: <b>PRELIMINARY</b>	INSPECTION CLASS:	DIGICO PART NUMBER: <b>111-00024</b>	DRAWN BY: 3ddraw	MATERIAL: NA									
		DWG FILE NUMBER: 111-00024.iam	DATE: 06/09/2010	FINISH: NA									
<small>COPYRIGHT: THIS DRAWING IS THE PROPERTY OF DIGICO (UK) LTD. THE INFORMATION IS CONFIDENTIAL AND NOT BE USED WITHOUT PRIOR WRITTEN CONSENT OF DIGICO (UK) LTD. THE CONTENTS BE TAGGED AND CORRECT AT THE TIME OF PUBLICATION AND IN ANY SUBSEQUENT DESIGN MARKETING OR OTHER DESIGN OR SERVICES THE RIGHT TO MAKE CHANGES WITHOUT NOTICE IN COLOURS MATERIALS SPECIFICATION AND MODELS. COPYRIGHT DIGICO 2010</small>		<small>TOLERANCES UNLESS STATED IN MILLIMETERS</small> <small>NO DECIMAL = ±0.5</small> <small>ONE DECIMAL = ±0.20</small> <small>TWO DECIMAL = ±0.10</small> <small>ALL DIMENSIONS IN MILLIMETERS</small> <small>LIMITS APPLY AFTER PLATING</small> <small>MACHINED WHERE MARKED THIS</small>	<small>TOLERANCES UNLESS STATED IN MILLIMETERS</small> <small>UP TO DIA = ±0.10</small> <small>DIA 0 TO 12 = ±0.20</small> <small>DIA 12 TO 24 = ±0.30</small> <small>ABOVE DIA 24 AS STATED</small>	<small>SCALE:</small> 1:2 <small>SHEETS:</small> 2 of 4									
<small>UNLESS STATED DIMENSIONS IN MILLIMETERS</small>		<small>PRODUCT:</small> SD11	<small>FIRST USED ON:</small>	<small>TITLE:</small> <b>SD11 MAIN ASSEMBLY OUTLINE WITHOUT END CHEEKS</b>	<small>DRAWING NUMBER:</small> <table border="1"> <tr> <td>A1</td> <td>OL</td> <td>188-00027</td> <td>1</td> </tr> <tr> <td>SIZE</td> <td>SUFFIX</td> <td>REV NUMBER</td> <td>ISSUE</td> </tr> </table>	A1	OL	188-00027	1	SIZE	SUFFIX	REV NUMBER	ISSUE
A1	OL	188-00027	1										
SIZE	SUFFIX	REV NUMBER	ISSUE										

REVISION HISTORY				
ZO	RE	DESCRIPTION	DATE	APPROVED
1		NEW DRAWING	15/04/2010	



NOTES.  
1. ESTIMATED WEIGHT WITH END CHEEKS AND ARM RESTS 23.3 KG 51.4 Lbs.

STATUS: <b>PRELIMINARY</b>	INSPECTION CLASS: <b>NA</b>	DIGICO PART NUMBER: <b>111-00024</b>	DRAWN BY: <b>3ddraw</b>	MATERIAL: <b>N/A</b>	
		DWG FILE NUMBER: <b>111-00024.iam</b>	DATE: <b>05/09/2010</b>	FINISH: <b>N/A</b>	
<small>         UNLESS STATED DIMENSIONS IN MILLIMETERS          DIMENSION: DIMENSIONAL TOLERANCES UNLESS STATED          NO DECIMAL: ±0.00 HOLE          ONE DECIMAL: ±0.20 DIA 0 TO 12 H2-D          TWO DECIMAL: ±0.10 DIA 12 TO 24 H2-D          ANGULAR: ±30' ABOVE DIA 24 AS STATED          LIMITS APPLY AFTER PLATING          MACHINED WHERE MARKED THIS       </small>		<small>         ALL DIMENSIONS IN MILLIMETERS          UNLESS STATED DIMENSIONS IN MILLIMETERS          DIMENSIONAL TOLERANCES UNLESS STATED          NO DECIMAL: ±0.00 HOLE          ONE DECIMAL: ±0.20 DIA 0 TO 12 H2-D          TWO DECIMAL: ±0.10 DIA 12 TO 24 H2-D          ANGULAR: ±30' ABOVE DIA 24 AS STATED          LIMITS APPLY AFTER PLATING          MACHINED WHERE MARKED THIS       </small>	CHECKED: DATE: FIRST USED ON: PRODUCT: <b>SD11</b>	TITLE: <b>SD11 MAIN ASSEMBLY          OUTLINE WITH END CHEEKS</b>	SCALE: <b>1:2</b>
		DRAWING NUMBER: <b>A1 OL 188-00027 1</b>			SHEETS: <b>3 of 4</b>

