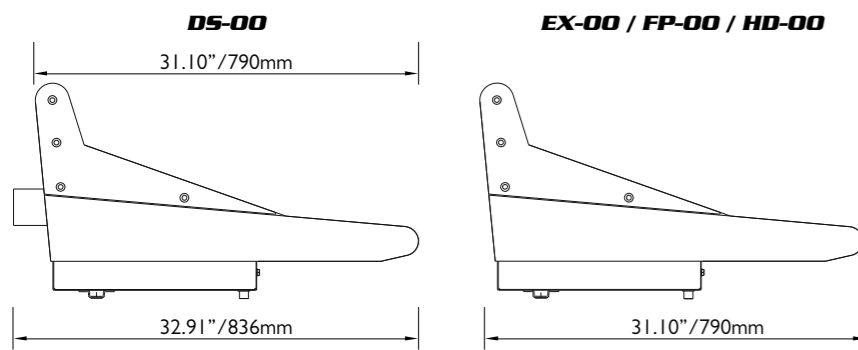
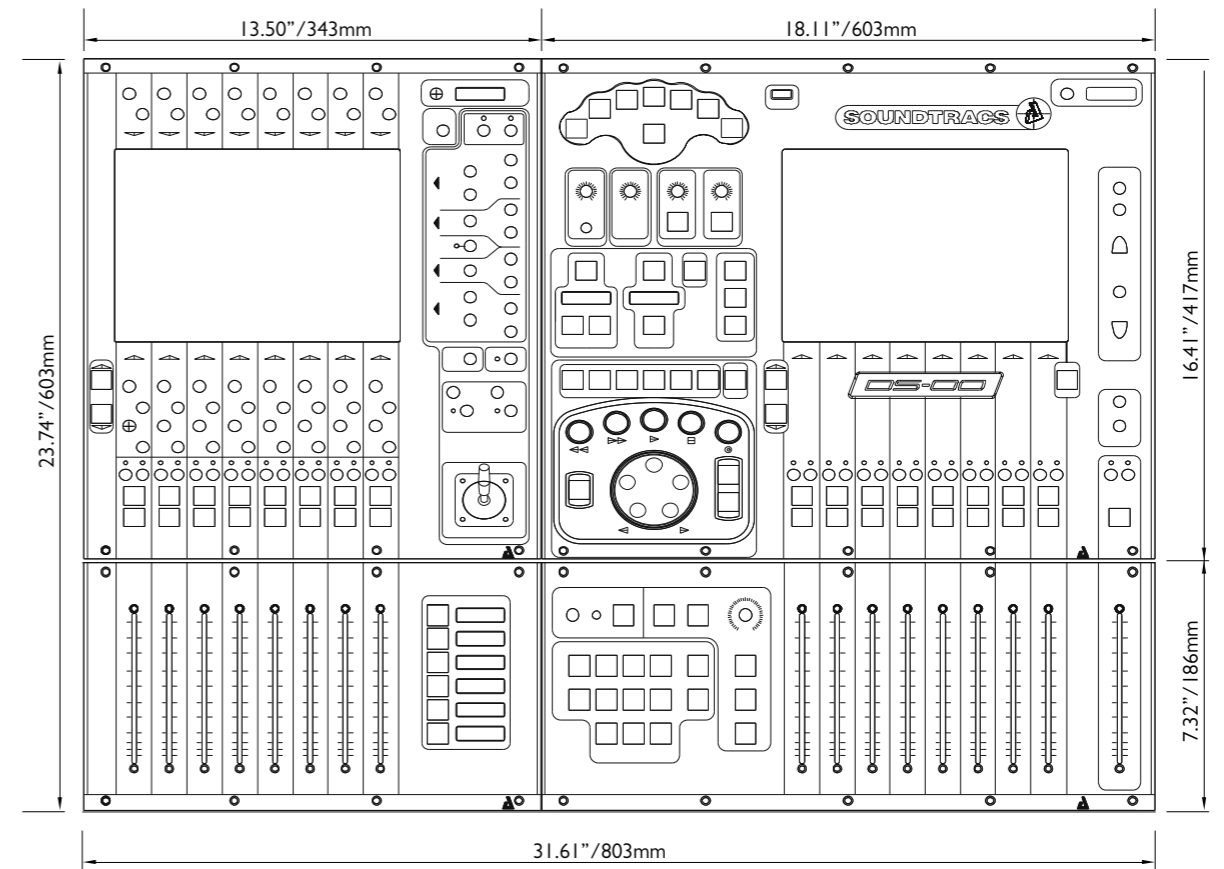
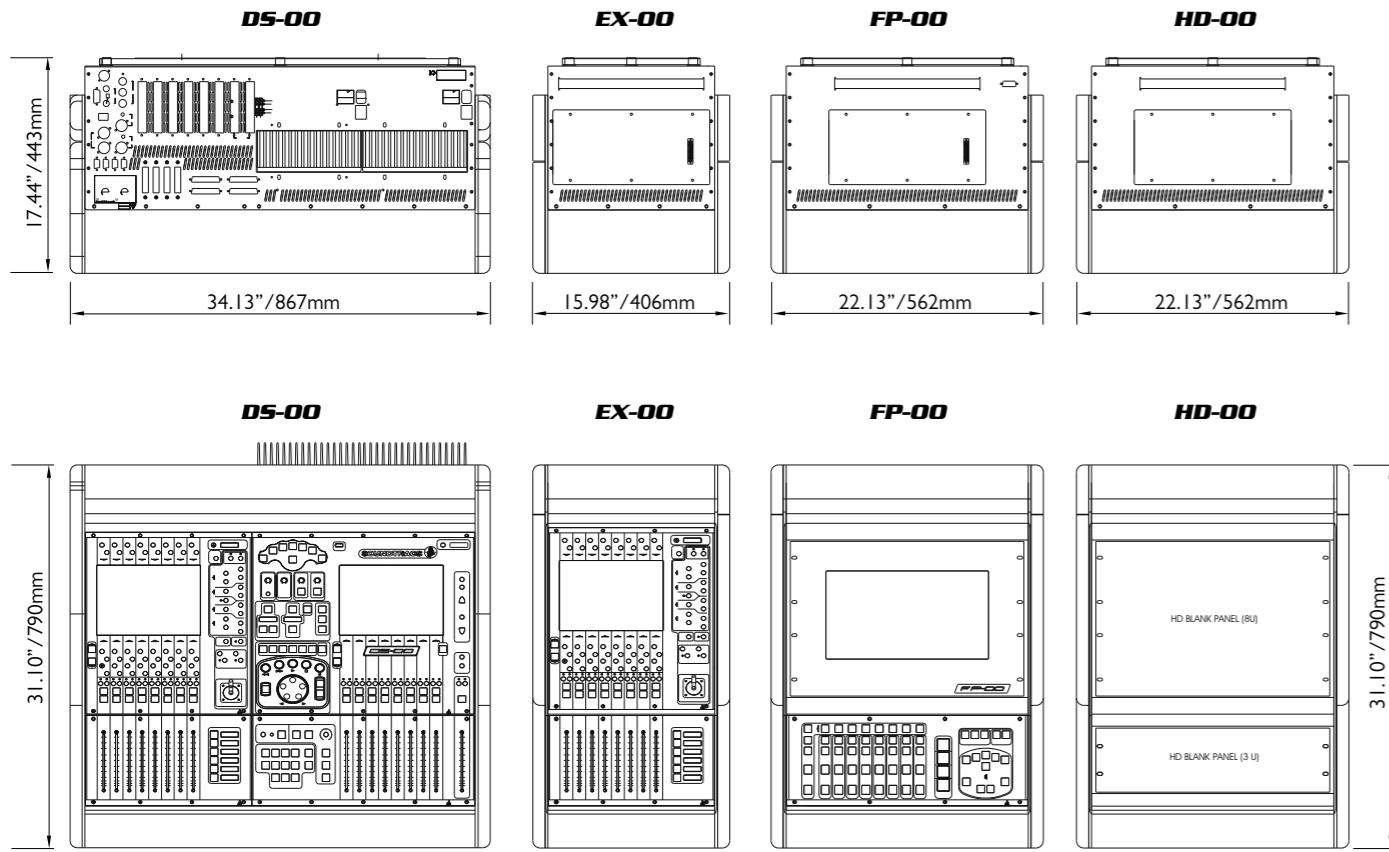


DiGiCo DS-00 Technical Specification

WORK SURFACE LAYOUT
(NOT TO SCALE)



DiGiCo DS-00 Notes
 1. CONSOLE WEIGHT (WITH 1 PSU) 55 Kg/121.25lb
 2. CONSOLE WEIGHT (ON PALLET) 96 Kg/211.64lb
 3. PSU WEIGHT 45 Kg/99.20lb

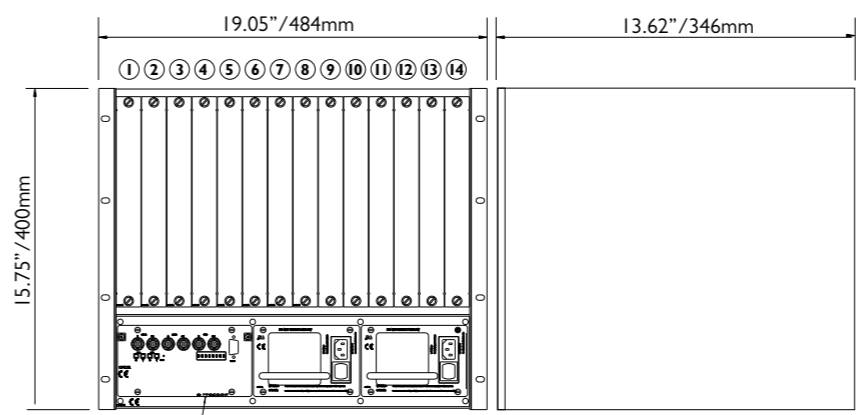
DiGiCo EX-00 Notes
 1. CONSOLE WEIGHT (WITH 1 PSU) 24 Kg/52.91lb
 2. CONSOLE WEIGHT (ON PALLET) 65 Kg/143.30lb
 3. PSU WEIGHT 45 Kg/99.20lb

DiGiCo FP-00 Notes
 1. CONSOLE WEIGHT (WITH 1 PSU) 39 Kg/85.98lb
 2. CONSOLE WEIGHT (ON PALLET) 80 Kg/176.36lb
 3. PSU WEIGHT 45 Kg/99.20lb

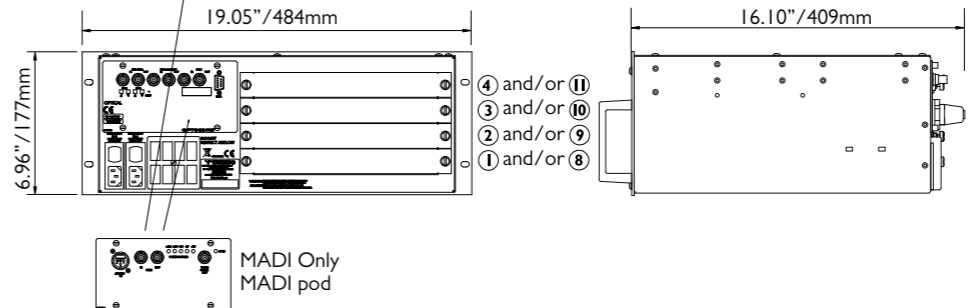
DiGiCo HD-00 Notes
 1. CONSOLE WEIGHT (WITH 1 PSU) 39 Kg/85.98lb
 2. CONSOLE WEIGHT (ON PALLET) 80 Kg/176.36lb
 3. PSU WEIGHT 45 Kg/99.20lb

- WORKSURFACE OPTOCORE™ INTERFACE (FACTORY FIT OPTION)
- TWO COMBI-CARD SLOTS (FACTORY FIT OPTION)
- DIGIRACK OPTOCORE™ INTERFACE (FACTORY FIT OPTION)

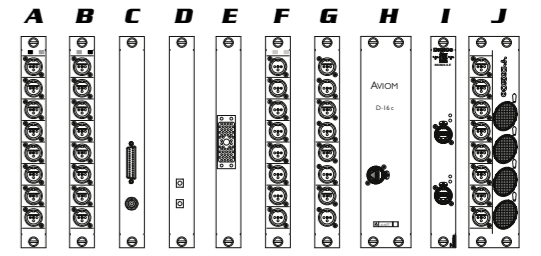
DiGiRACK
 9U 19" Rack Mount Weight (Unpacked) 36kg/80lb Weight (Packed) 56kg/124lb
 Optional Configurations (1-7 Inputs 8-14 Outputs)



Mini DiGiRACK
 4U 19" Rack Mount Weight (Unpacked) 14kg/30.86lb Weight (Packed) 20kg/44.09lb
 Optional Configurations (1-4 Inputs 8-11 Outputs)



Card Options
 DiGiRack and MiniRack



- A. Mic input card**
with 24-bit A/D on XLR connectors
- B. Line input card**
with 24-bit A/D on XLR connectors
- C. T-DIF input/output card**
with local clock output
- D. ADAT input/output card**
with optical connections
- E. Analogue input card**
with 24-bit A/D, mic & line inputs
- F. Analogue output card**
with 24-bit D/A on XLR connectors
- G. AES/EBU input/output card**
with Bi-directional sample rate conversion
- H. Aviom D-16c A-Net Card**
ultra-fast A-Net™ Pro I6 protocol connectivity
- I. Ethersound I/O Card**
8 channel input/output and control card
- J. DiGiCo D-Tube**
Remote controllable tube Mic pre amp