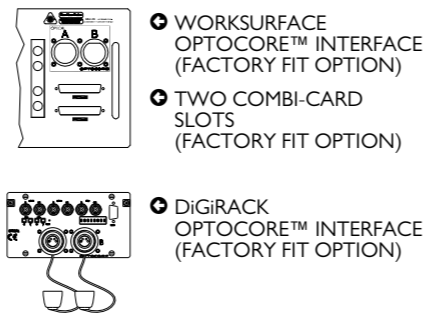
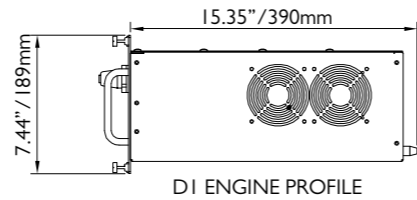
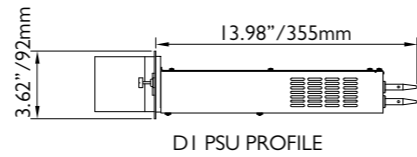
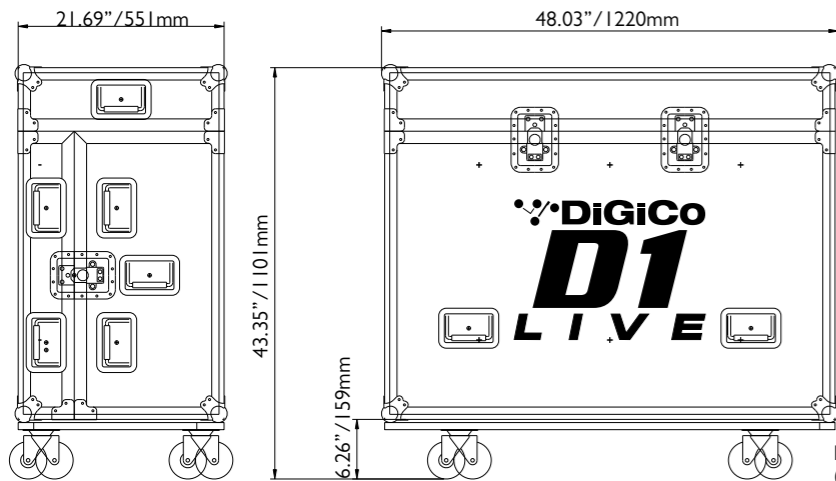
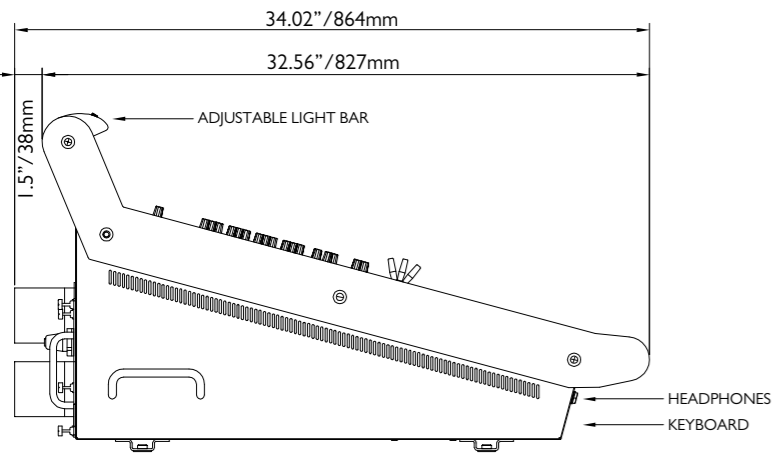
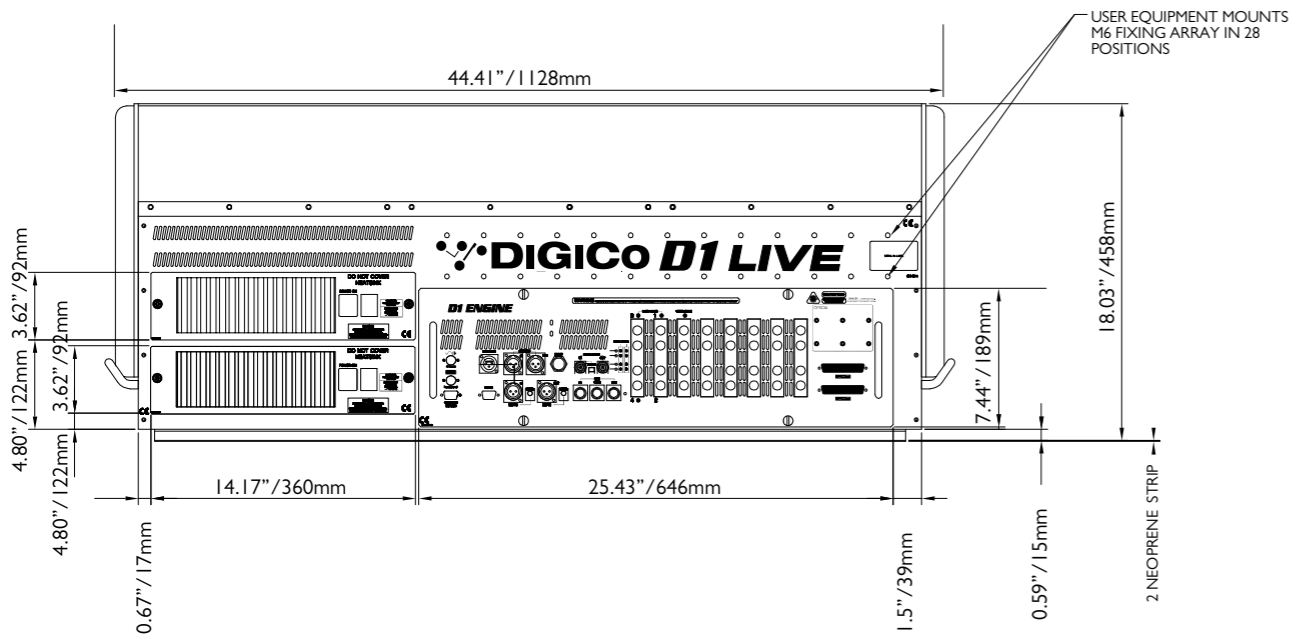
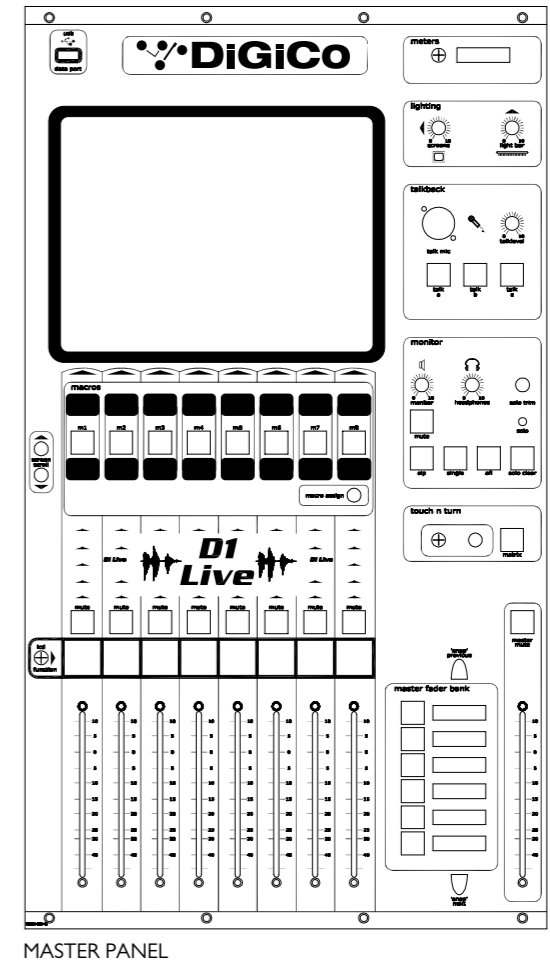
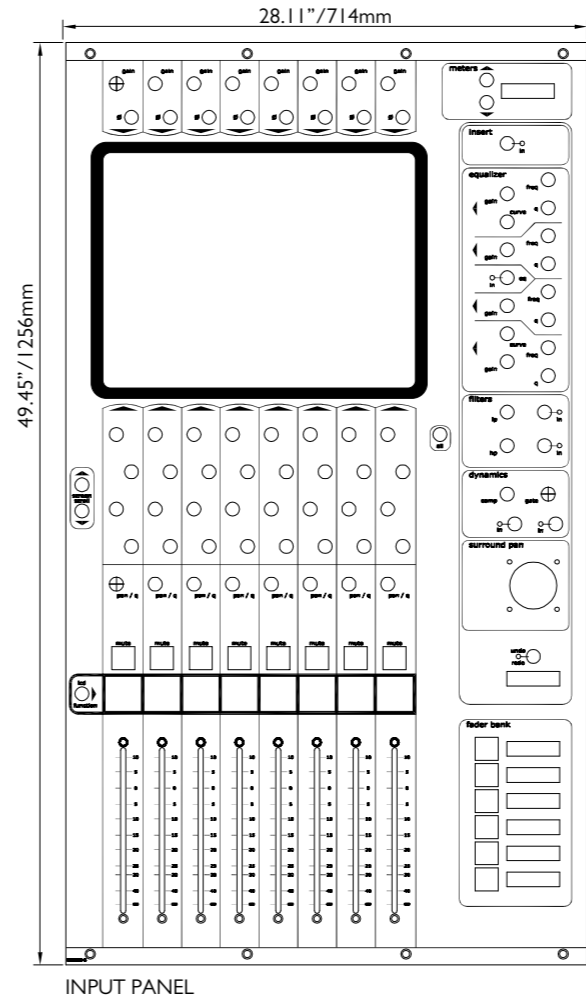


DiGiCo D1 Technical Specification



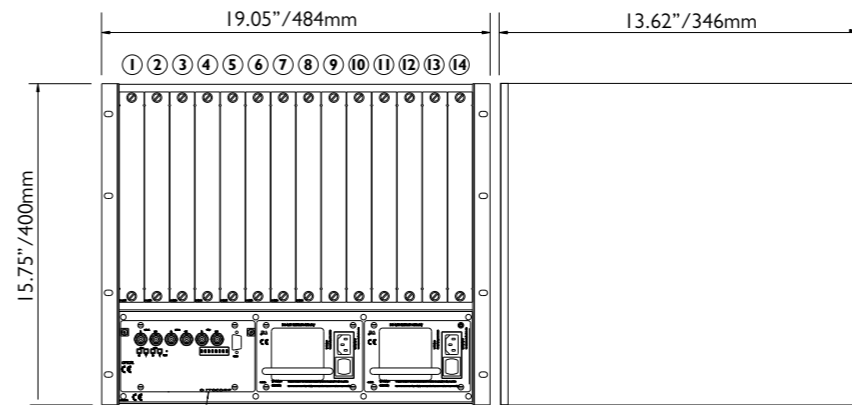
DiGiCo D1 Live Notes

1. CONSOLE WEIGHT (WITH 1 PSU)	82.5 Kg/181.88lb
2. CONSOLE WEIGHT (PACKED)	175Kg/385.80lb
3. PSU WEIGHT	4.5 Kg/9.92lb
4. ENGINE WEIGHT (UNPACKED)	10.5 Kg/23.14lb
5. ENGINE WEIGHT (PACKED)	22 Kg/48.5lb

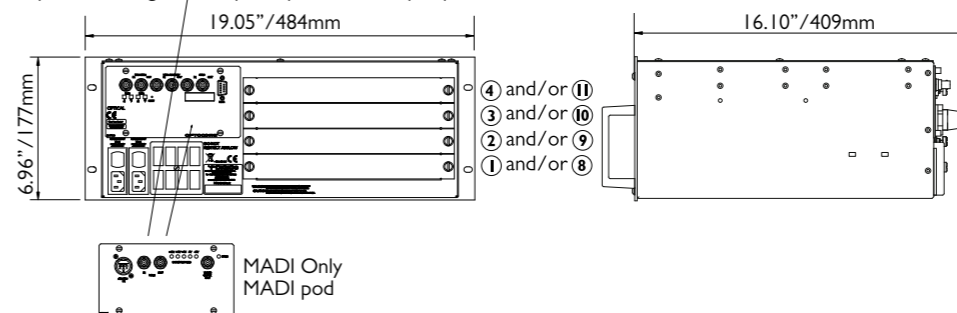


WORK SURFACE LAYOUT (NOT TO SCALE)

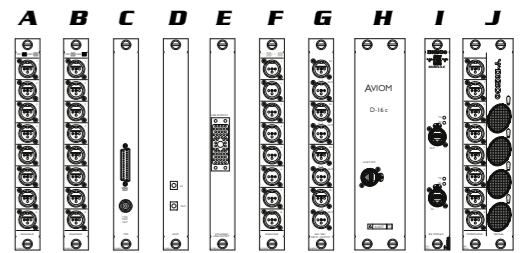
DiGiRACK
9U 19" Rack Mount Weight (Unpacked) 36kg/80lb Weight (Packed) 56kg/124lb
Optional Configurations (1-7 Inputs 8-14 Outputs)



Mini DiGiRACK
4U 19" Rack Mount Weight (Unpacked) 14kg/30.86lb Weight (Packed) 20kg/44.09lb
Optional Configurations (1-4 Inputs 8-11 Outputs)



Card Options
DiGiRack and MiNiRack



- A. Mic input card**
with 24-bit A/D on XLR connectors
- B. Line input card**
with 24-bit A/D on XLR connectors
- C. T-DIF input/output card**
with local clock output
- D. ADAT input/output card**
with optical connections
- E. Analogue input card**
with 24-bit A/D, mic & line inputs
- F. Analogue output card**
with 24-bit D/A on XLR connectors
- G. AES/EBU input/output card**
with Bi-directional sample rate conversion
- H. Aviom D-16c A-Net Card**
ultra-fast A-Net™ Pro I6 protocol connectivity
- I. Ethersound I/O Card**
8 channel input/output and control card
- J. DiGiCo D-Tube**
Remote controllable tube Mic pre amp